

ECE3 ETSI Splice & Termination Cabinet

Description:

The ECE3 is series designed for 300 mm depth ETSI racks. It provides splicing and termination within one convenient housing unit. The ECE3 terminates up to 144 fibers in a 7SU (ETSI height) distribution frame. This unit contains angled panel for mounting various optical adaptors (SC, LC, E2000, ...). It allows decreasing the depth of cabinet. The swing-out shelf enables unrestricted front, rear and top access to the splicing area and termination panels.



ETSI philosophy is completely different. It is based on metrical system. Height of SU (System Unit) is 25 mm. This type cannot be used in common 19" racks.

Features:

- ETSI rack standards compatible
- Aluminum material - low weight and shipment costs
- Up to 72/144 termination in 7SU (7x25 mm) ETSI height
- Splicing and termination optical cable in one box
- Splice cassette holder enables cable termination with the help of pigtail splicing
- Enables management and rearrangement of cable slack
- Removable top cover provides unrestricted access
- Pivoting shelf eases connector routing and cable routing
- Accepts the industry's most common connector types

Specifications:

Part Number	Fiber Capacity ¹	Max. Cassette Capacity	ETSI Height ²	Dimensions (H x W x D) mm
ECE3-2	12/24	1	2 SU (50 mm)	50x440x265
ECE3-3	36/48	4	3 SU (75 mm)	75x440x265
ECE3-5	36/72	6	5 SU (125 mm)	125x440x265
ECE3-7	72/144	12	7 SU (175 mm)	175x440x265

Note: 1) standard / SFF connector types

2) SU - system unit, 1 SU=25 mm

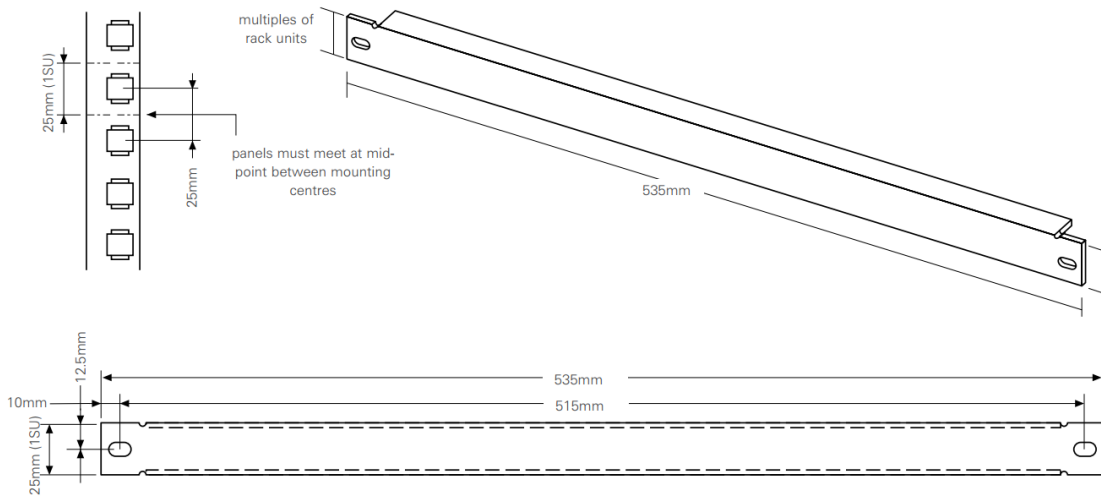


ECE3-7SU-144-DLC A-C12-LM



ECE3-3SU-48-DLC A-C4-ZM

ETSI KEY ELEMENTS



Ordering code:

ECE3 **- xSU** **- xx** **- x(F)¹ x** **- Cx** **-** **xx**

Height <i>ETSI SU</i> <i>height</i> 2SU 50 mm 3SU 75 mm 5SU 125 mm 7SU 175 mm		xx - No. of cassettes 1 1 Splice cassette 2 2 Splice cassettes ... 12 12 Splice cassettes		Door options LM Metal door - lock ZM Metal door - latch																																					
Fiber capacity 12, 24, ..fibers																																									
Coupling type <table border="0"> <tr> <td>xx</td> <td></td> <td>x</td> <td></td> </tr> <tr> <td>ST</td> <td>ST</td> <td>M</td> <td>Multimode</td> </tr> <tr> <td>SC(F)</td> <td>SC</td> <td>S</td> <td>Singlemode</td> </tr> <tr> <td>FC</td> <td>FC</td> <td>A</td> <td>APC</td> </tr> <tr> <td>E2(F)</td> <td>LSH (E2000)</td> <td></td> <td></td> </tr> <tr> <td>DSC(F)</td> <td>duplex SC</td> <td></td> <td></td> </tr> <tr> <td>DLC(F)</td> <td>duplex LC</td> <td></td> <td></td> </tr> <tr> <td>DMU(F)</td> <td>duplex MU</td> <td></td> <td></td> </tr> <tr> <td>QLC</td> <td>Quadruplex LC</td> <td></td> <td></td> </tr> </table>						xx		x		ST	ST	M	Multimode	SC(F)	SC	S	Singlemode	FC	FC	A	APC	E2(F)	LSH (E2000)			DSC(F)	duplex SC			DLC(F)	duplex LC			DMU(F)	duplex MU			QLC	Quadruplex LC		
xx		x																																							
ST	ST	M	Multimode																																						
SC(F)	SC	S	Singlemode																																						
FC	FC	A	APC																																						
E2(F)	LSH (E2000)																																								
DSC(F)	duplex SC																																								
DLC(F)	duplex LC																																								
DMU(F)	duplex MU																																								
QLC	Quadruplex LC																																								

Note: 1) "F" - fixed adaptors by screw